

**SPECIFICATION
FOR
LCD MODULE**

Customer : _____

Product Model: KD101N4-40NA-A19

Sample code: _____

Designed by	Checked by	Approved by

Final Approval by Customer

LCM Machinery OK Checked By _____	<input type="checkbox"/> LCM OK
LCM Display OK Checked By _____	<input type="checkbox"/> NG, Problem survey:
	Approved By _____

※ The specification of "TBD" should refer to the measured value of sample . If there is difference between the design specification and measured value, we naturally shall negotiate and agree to solution with customer.

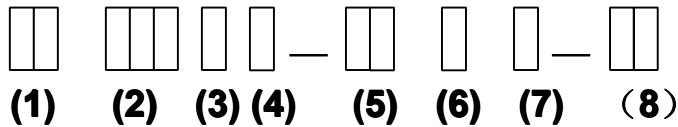
Revision History

Version	Contents	Date	Note
A	Original	2013.05.30	

Contents

No.	Item	Page
1.	Numbering System	4/18
2	Scope	5/18
3	Normative Reference	5/18
4	Definitions	5/18
5	Block Diagram	7/18
6	Technology Specifications	7/18
7	Reliability Test Condition and Methods	15/18
8	Handling Precautions	15/18
9	Precaution for use	17/18
10	Package Drawing	17/18
11	Outline Dimension	18/18

1. Numbering System



No	Definition	Specifications
(1)	TFT LCM Productor No.	KD ---- King Display Technology Co. Ltd
(2)	Display monitor opposite angle line size	Unit :mm or mmm (size <10 inch: takes two integers ; size >=10 inch: takes three integers)
(3)	Productor Types	D ---- Digital photo frame / DVD G ----GPS M ----MP P ----Mobil-Phone N ----Net Book 。。。
(4)	Productor Development Series No.	By two figures characters expression from 01 to 99
(5)	Interface PIN Number	By two figures characters expression from 01 to 99
(6)	With Touch Panel Or Not	T----With T/P ; N----Without T/P
(7)	LCD Type	A----AUO ; M----CMO ; C----CPT; P----PVI; L----LG; W----Wintek; H----HSD; T----Topply; Y----Hydis; I----Hitach; S----Sharp。。。
(8)	Productor Development edition No.	By The English litters : A 1~ Z9

2. Scope

This specification applies to the TFT LCD module which is designed and manufactured by LCM Factory of Shenzhen K&D Technology Co. Ltd.

3. Normative Reference

GB/T4619-1996 《Liquid Crystal Display Test Method》

GB/T2424 《Basic environmental Testing Procedures for Electric and Electronic Products.》

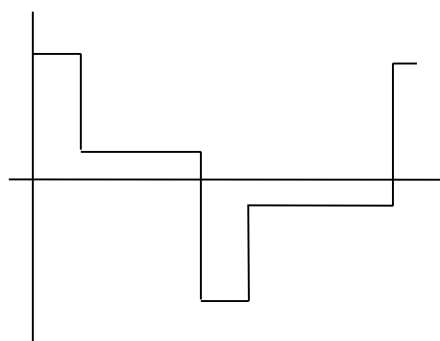
GB/T2423 《Basic Testing Procedures for Electric and Electronic Products》

IEC61747-1 《SIXTH PART GB2828`2829-87 《National Standard of PRC》

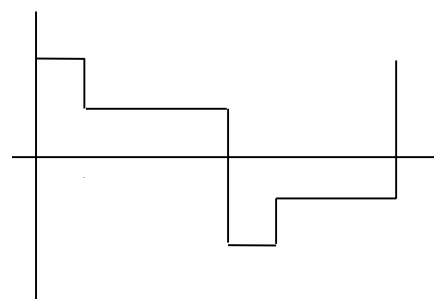
4. Definitions

4.1 Definitions of Vop

The definitions of threshold voltage V_{th1} , V_{th2} the following typical waveforms are applied on liquid crystal by the method of equalized voltage for each duty and bias.



【 selected waveform 】



【 non-selected waveform 】

① V_{th1} : The voltage which the brightness of segment indicates 50% of saturated value on the conditions of selected waveform

($f_r=80\text{Hz}$, $\Phi=10^\circ$ $\theta=270^\circ$ at 25°C)

② V_{th2} : The voltage which the brightness of segment indicates 50% of saturated value on the conditions of non-selected waveform

($f_r=80\text{Hz}$, $\Phi=10^\circ$ $\theta=270^\circ$ at 25°C)

③ V_{op} : $(V_{th1}(50\%)+V_{th2}(50\%))/2$ ($f_r=80\text{Hz}$, $\Phi=10^\circ$ $\theta=270^\circ$ at 25°C)

4.2 Definition of Response Time T_r , T_d

① T_r : The time required which the brightness of segment becomes 10% from 100% when waveform is switched to selected one from non-selected one. ($f_r=80\text{Hz}$, $\Phi=10^\circ$ $\theta=270^\circ$ at 25°C)

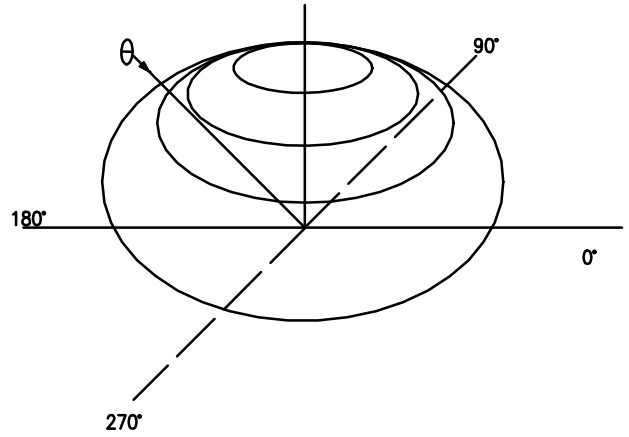
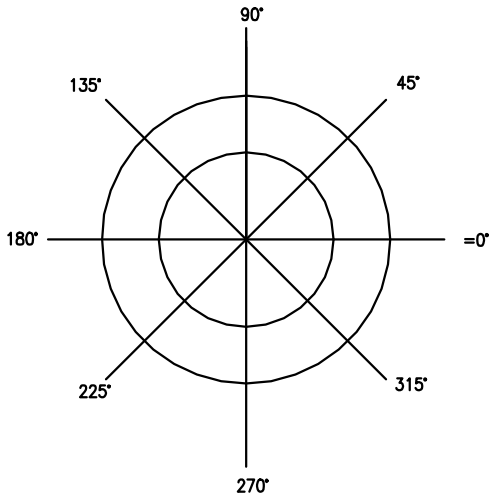
② T_d : The time required which the brightness of segment becomes 90% from 10% when waveform is switched to selected one from selected one. ($f_r=80\text{Hz}$, $\Phi=10^\circ$ $\theta=270^\circ$ at 25°C)

4.3 Definition of Contrast Ratio C_r

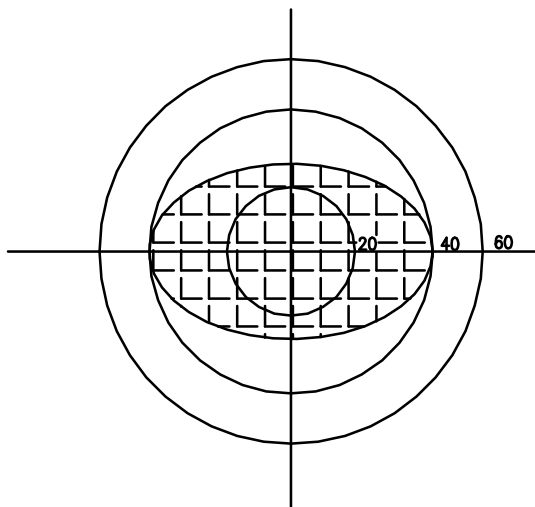
$C_r=A/B$

- ① A: Segments brightness in case of non-selected waveform
- ② B: Segments brightness in case of selected waveform

4.4 Definition of Angle and Viewing Range

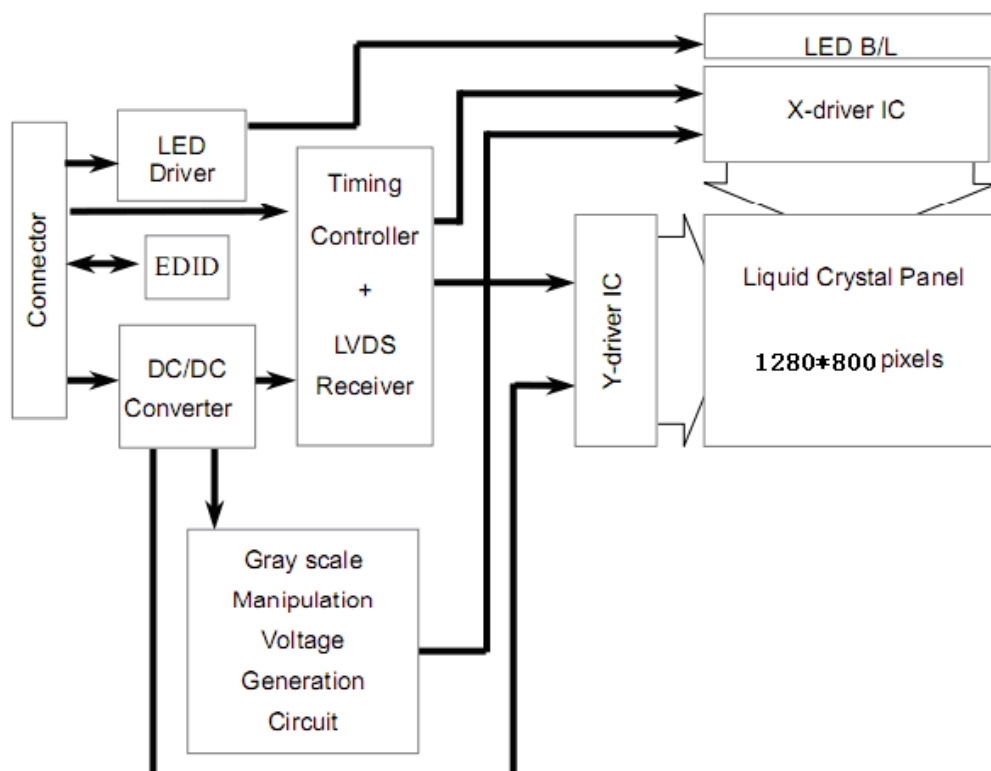


Angular Graph: Contrast Ratio



Such as:
Viewing Angle Range:
80(Cr>2) Horizontal
70(Cr>2) Vertical

5. Block Diagram



6. Technology Specifications

6.1 Features

This single-display module is suitable for use in Net Book products. The LCD adopts one backlight with High brightness 39-lamps white LED. Construction: 10.1" a-Si color TFT-LCD ,White LED backlight, FPC and T-CON.

6.2 General Specifications

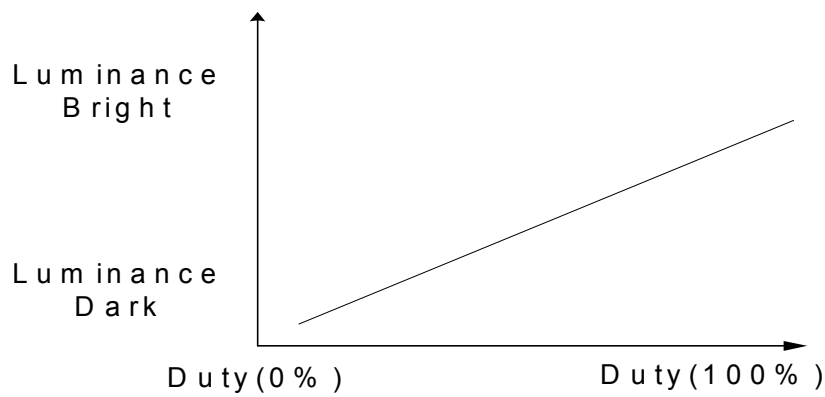
No.	Item	Specification
1	LCD size	10.1 inch
2	Resolution	1280 (RGB)X800
3	Display mode	Normally Black
4	Pixel pitch	0.1695(H)X0.1695(V) mm
5	Active area	216.96 (W)X135.6 (H) mm
6	Module size	229.46(W)X149.2(H)X2.8(D) mm
7	Pixel arrangement	RGB-stripe
8	Interface	Digital (6bit LVDS)
9	Backlight power consumption	3W
10	Panel power consumption	0.7W
11	Weight	TBD

6.3 Interface Pin Connection

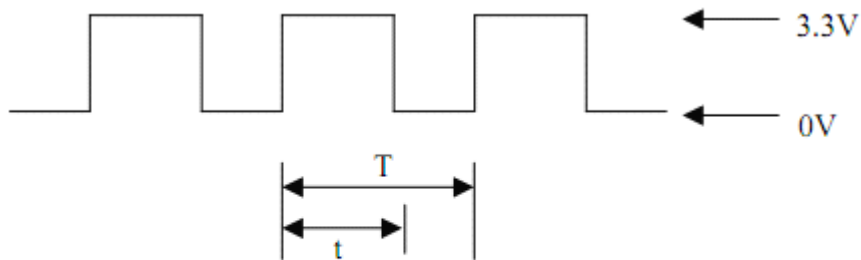
Connector CN1 is used for electronics interface. The recommended model is 111A40-0000RA-G3 manufactured by CEMG.

Pin No.	Symbol	Function
1	NC	No Connection(Reserve)
2	VDD	Power Supply,3.3V(typical)
3	VDD	Power Supply,3.3V(typical)
4	NC	No Connection(Reserve)
5	NC	No Connection(Reserve)
6	NC	No Connection(Reserve)
7	NC	No Connection(Reserve)
8	Rin0-	- LVDS differential data input(R0-R5,G0)
9	Rin0+	+ LVDS differential data input(R0-R5,G0)
10	GND	Ground
11	Rin1-	- LVDS differential data input(G1-G5,B0-B1)
12	Rin1+	+LVDS differential data input(G1-G5,B0-B1)
13	GND	Ground
14	Rin2-	- LVDS differential data input(B2-B5,HS,VS,DE)
15	Rin2+	+LVDS differential data input(B2-B5,HS,VS,DE)
16	GND	Ground
17	ClkIN-	-LVDS differential clock input
18	ClkIN+	+LVDS differential clock input
19	GND	Ground
20	NC	No Connection(Reserve)
21	NC	No Connection(Reserve)
22	GND	Ground
23	NC	No Connection(Reserve)
24	NC	No Connection(Reserve)
25	GND	Ground
26	NC	No Connection(Reserve)
27	NC	No Connection(Reserve)
28	GND	Ground
29	NC	No Connection(Reserve)
30	NC	No Connection(Reserve)
31	GND	Ground
32	GND	Ground
33	GND	Ground
34	NC	No Connection(Reserve)
35	PWM	LED BLU Brightness Control(Note 1,2)
36	LED-EN	LED Converter Enable(3.3V)
37	NC	No Connection(Reserve)
38	VLED	LED Converter Input Power(5V)
39	VLED	LED Converter Input Power(5V)
40	VLED	LED Converter Input Power(5V)

Note1: PWM is used to adjust the B/Lbrightness.



Note 2: PWM signal=0~3.3V, Operation Frequency:100 Hz~100KHz,



$$\text{Duty Cycle} = t / T * 100\%$$

$$T = 1 / F$$

6.4 Absolute Max. Rating

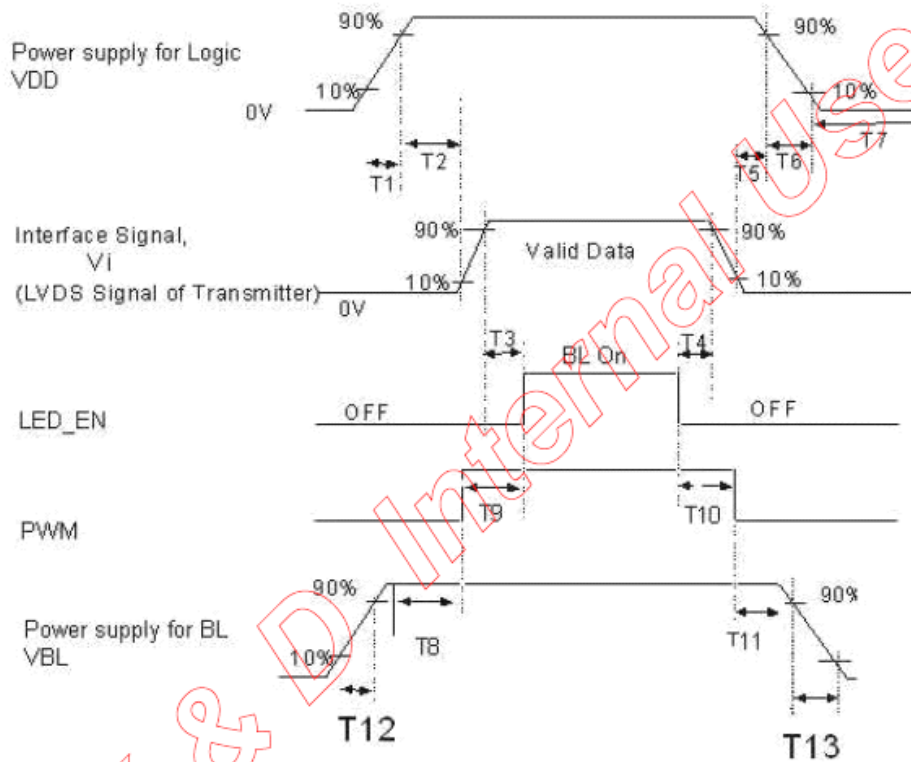
Item	Symbol	Values		Unit
		Min.	Max.	
Power Voltage	V _{CC}	-0.3	4.0	V
	V _{LED}	-0.9	7	V
Input Signal Voltage	V _I	-0.3	V _{CC}	V
Operation Temperature	T _{OP}	-10	60	°C
Storage Temperature	T _{ST}	-20	70	°C

6.5 Typical Operation Conditions

Item	Symbol	Values			Unit
		Min.	Typ.	Max.	
Power Voltage	V _{CC}	3.0	3.3	3.6	V
	V _{LED}		5	7	V
Current Consumption	I _{CC}	-	200	-	mA
	I _{LED}	-	600	-	mA

6.6 Power Sequence

1) Power on/off sequence



Parameter	Value			Unit
	Min.	Typical	Max.	
T1	0.5	-	10	[ms]
T2	0	40	50	[ms]
T3	200	-	-	[ms]
T4	200	-	-	[ms]
T5	0	16	50	[ms]
T6	0	-	10	[ms]
T7	500	-	-	[ms]
T8	10	-	-	[ms]
T9	0	-	180	[ms]
T10	0	-	180	[ms]
T11	10	-	-	[ms]
T12	0.5	-	10	[ms]

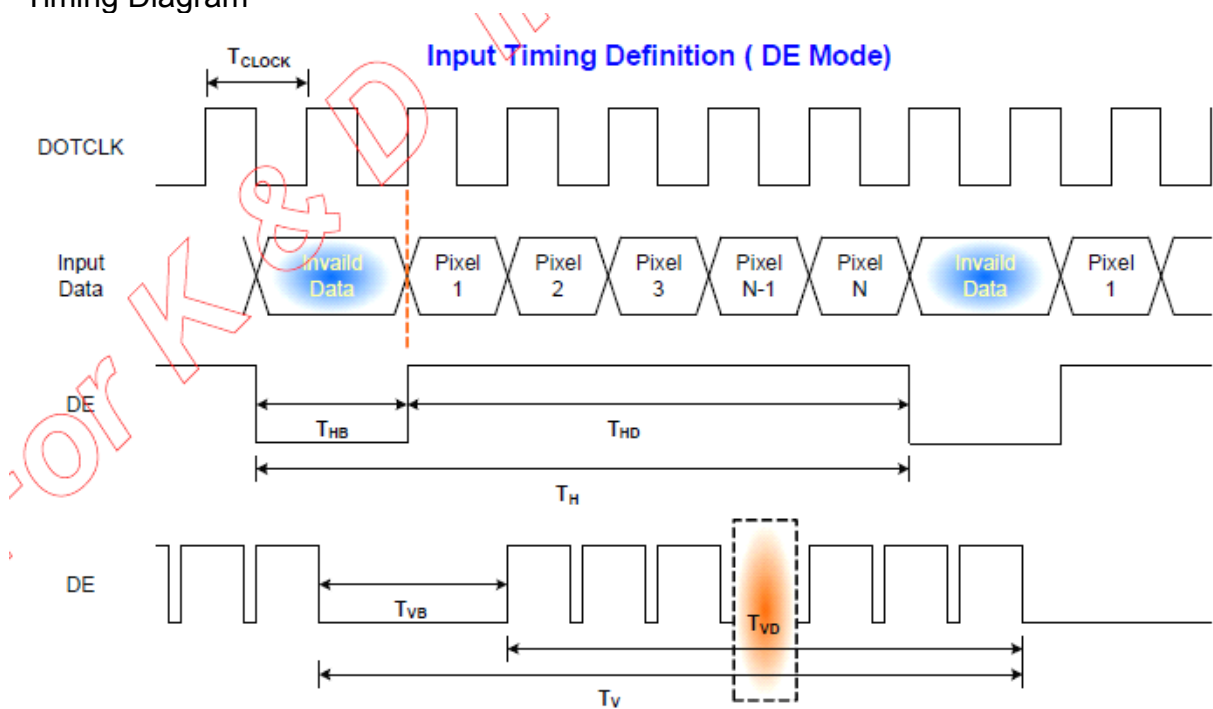
6.7 Timing Conditions

Input Timing(only for DE Mode)

Parameter	Symbol	Min.	Typ.	Max.	Unit	
Frame Rate	-		60		Hz	
Clock frequency	1/ TClock		68.93		MHz	
Vertical Section	Period	TV	808	816	1023	TLine
	Active	TVD	800			
	Blanking	TVB	8	16	223	
Horizontal Section	Period	TH	1310	1408	2047	TClock
	Active	THD	1280			
	Blanking	THB	40	168	767	

Note : DE mode only

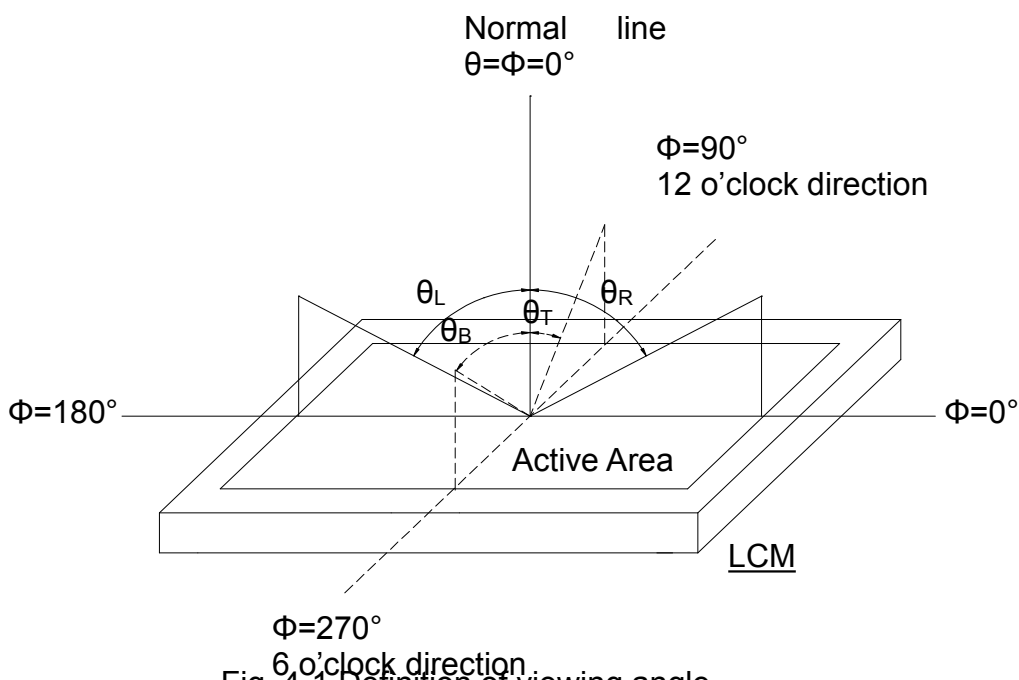
Timing Diagram



6.8 Optical specifications

Item	Symbol	Condition	Values			Unit	Remark
			Min.	Typ.	Max.		
Viewing angle (CR≥ 10)	θ_L	$\Phi=180^\circ$ (9 o'clock)	-	80	-	degree	Note 1
	θ_R	$\Phi=0^\circ$ (3 o'clock)	-	80	-		
	θ_T	$\Phi=90^\circ$ (12 o'clock)	-	80	-		
	θ_B	$\Phi=270^\circ$ (6 o'clock)	-	80	-		
Response time Rise+Fall	T_{RT}	Normal $\theta=\Phi=0^\circ$	-	25	35	msec	Note 3
Contrast ratio	CR		600	-	-	-	Note 4
Color chromaticity	W_X		0.28	0.31	0.35	-	Note 2
	W_Y		0.29	0.33	0.36	-	Note 5 Note 6
Luminance	L		220	250	-	-	Note 6
Luminance uniformity	Y_U		70	75	-	%	Note 6,7

Note 1: Definition of viewing angle range



Note 2: Definition of optical measurement system.

The optical characteristics should be measured in dark room. After 30 minutes operation, the optical properties are measured at the center point of the LCD screen. (Viewing angle is measured by ELDIM-EZ contrast/Height :1.2mm ,Response time is measured by Photo detector TOPCON BM-7, other items are measured by BM-5A/Field of view: 1° /Height: 500mm.)

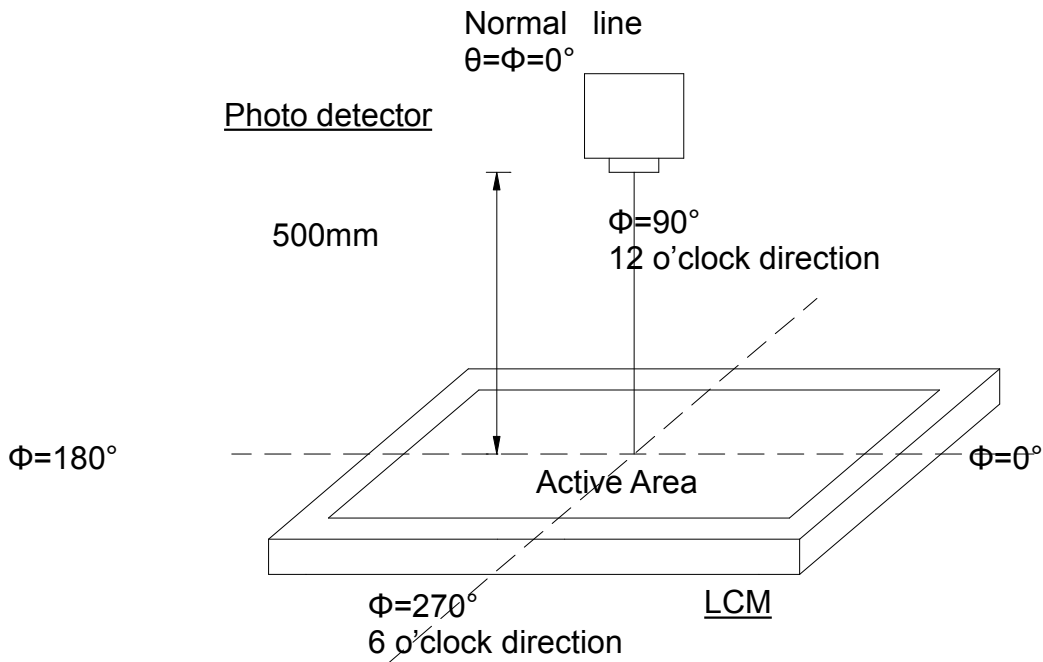


Fig. 4-2 Optical measurement system setup

Note 3: Definition of Response time

The response time is defined as the LCD optical switching time interval between “White” state and “Black” state. Rise time (T_{ON}) is the time between photo detector output intensity changed from 90% to 10%. And fall time (T_{OFF}) is the time between photo detector output intensity changed from 10% to 90%.

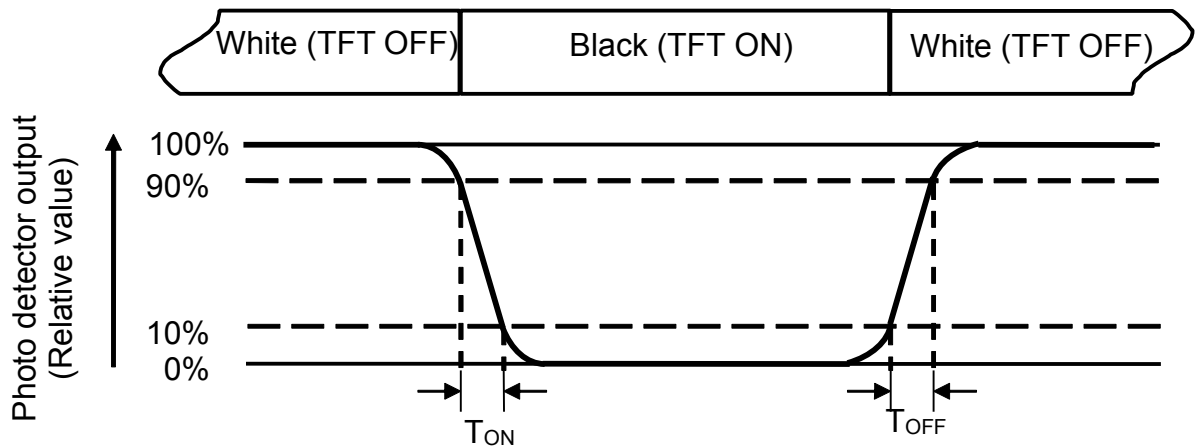


Fig. 4- 3 Definition of response time

Note 4: Definition of contrast ratio

$$\text{Contrast ratio (CR)} = \frac{\text{Luminance measured when LCD on the "White" state}}{\text{Luminance measured when LCD on the "Black" state}}$$

Note 5: Definition of color chromaticity (CIE1931)

Color coordinates measured at center point of LCD.

Note 6: All input terminals LCD panel must be ground while measuring the center area of the panel. The LED driving condition is $V_{LED}=5.0V$.

Note 7: Definition of Luminance Uniformity

Active area is divided into 9 measuring areas (Refer to Fig. 4-4).Every measuring point is placed at the center of each measuring area.

$$Luminance\ Uniformity\ (Yu) = \frac{B_{min}}{B_{max}}$$

L-----Active area length W----- Active area width

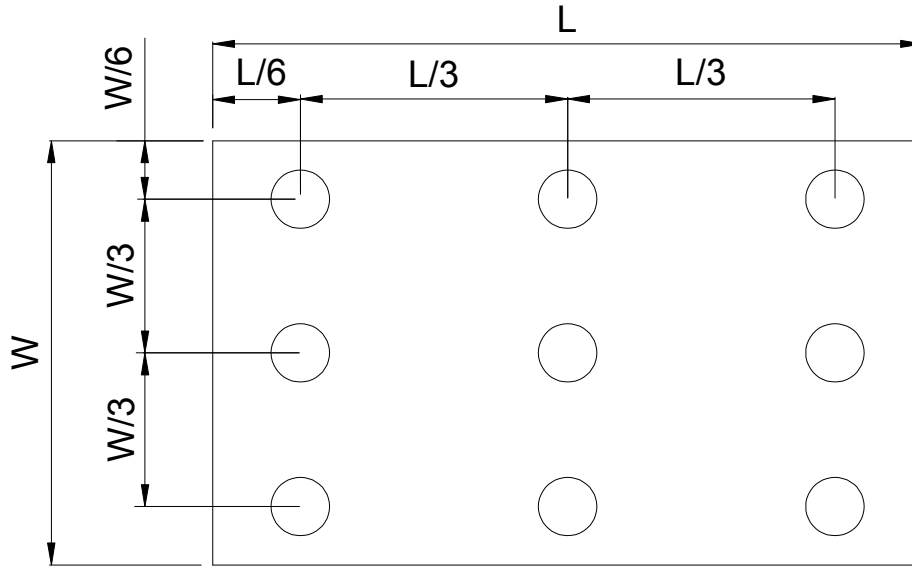


Fig. 4- 4 Definition of measuring points

B_{max} : The measured maximum luminance of all measurement position.
 B_{min} : The measured minimum luminance of all measurement position.

7. Reliability Test Conditions And Methods

Item	Test Conditions	Remark
High Temperature Storage	Ta = 70°C 96 hrs	
Low Temperature Storage	Ta = -20°C 96hrs	
High Temperature Operation	Ts = 60°C 96hrs	
Low Temperature Operation	Ta = -10°C 96hrs	
Operate at High Temperature and Humidity	+60°C, 90%RH max. 96 hrs	Operation
Thermal Shock	-20°C~ +70°C 100 cycles 1Hrs/cycle	Non-operation
Electrostatic Discharge	Contact=±4KV, class B Air=±8KV, class B	
Vibration Test	Frequency range:10~55Hz Stroke:1.5mm Sweep:10~55~10Hz 2 hours for each direction of X. Y. Z. (6 hours for total)	Non-operation JIS C7021,A-10 ConditionA: 15minutes
Mechanical Shock	100G 6ms,±X, ±Y, ±Z 3 times for each direction	Non-operation JIS C7021,A-7 ConditionC
Vibration(With Carton)	Random Vibration : 0.015G*G/Hz from 5-200HZ, -6dB/Octave from 200-500HZ	IEC68-34
Drop(With Carton)	Height:60 cm 1 corner, 3 edges, 6 surfaces	
Electro Static Discharge	± 2KV, Human Body Mode, 100pF/1500Ω	

8. Handling Precautions

8.1 Mounting method

The LCD panel of Daxian LCD module consists of two thin glass plates with polarizes which easily be damaged. And since the module in so constructed as to be fixed by utilizing fitting holes in the printed circuit board.

Extreme care should be needed when handling the LCD modules.

8.2 Caution of LCD handling and cleaning

When cleaning the display surface, Use soft cloth with solvent [recommended below] and wipe lightly

- Isopropyl alcohol
- Ethyl alcohol

Do not wipe the display surface with dry or hard materials that will damage the polarizer surface.

Do not use the following solvent:

- Water
- Aromatics

Do not wipe ITO pad area with the dry or hard materials that will damage the ITO patterns

Do not use the following solvent on the pad or prevent it from being contaminated:

- Soldering flux

- Chlorine (Cl) , Sulfur (S)

If goods were sent without being silicon coated on the pad, ITO patterns could be damaged due to the corrosion as time goes on.

If ITO corrosion happens by miss-handling or using some materials such as Chlorine (Cl), Sulfur (S) from customer, Responsibility is on customer.

8.3 Caution against static charge

The LCD module uses C-MOS LSI drivers, so we recommend that you:

Connect any unused input terminal to Vdd or Vss, do not input any signals before power is turned on, and ground your body, work/assembly areas, assembly equipment to protect against static electricity.

8.4 packing

- Module employs LCD elements and must be treated as such.
- Avoid intense shock and falls from a height.
- To prevent modules from degradation, do not operate or store them exposed directly to sunshine or high temperature/humidity

8.5 Caution for operation

- It is an indispensable condition to drive LCD's within the specified voltage limit since the higher voltage than the limit causes the shorter LCD life.
- An electrochemical reaction due to direct current causes LCD's undesirable deterioration, so that the use of direct current drive should be avoided.
- Response time will be extremely delayed at lower temperature than the operating temperature range and on the other hand at higher temperature LCD's show dark color in them. However those phenomena do not mean malfunction or out of order with LCD's, which will come back in the specified operation temperature.
- If the display area is pushed hard during operation, some font will be abnormally displayed but it resumes normal condition after turning off once.
- A slight dew depositing on terminals is a cause for electro-chemical reaction resulting in terminal open circuit.

Usage under the maximum operating temperature, 50%Rh or less is required.

8.6 storage

In the case of storing for a long period of time for instance, for years for the purpose of replacement use, the following ways are recommended.

- Storage in a polyethylene bag with the opening sealed so as not to enter fresh air outside in it. And with no desiccant.
- Placing in a dark place where neither exposure to direct sunlight nor light is kept within the storage temperature range.
- Storing with no touch on polarizer surface by anything else.

[It is recommended to store them as they have been contained in the inner container at the time of delivery from us]

8.7 Safety

- It is recommendable to crush damaged or unnecessary LCD's into pieces and wash off liquid crystal by either of solvents such as acetone and ethanol, which should be burned up later.

- When any liquid leaked out of a damaged glass cell comes in contact with your hands, please wash it off well with soap and water

9. Precaution for use

9.1

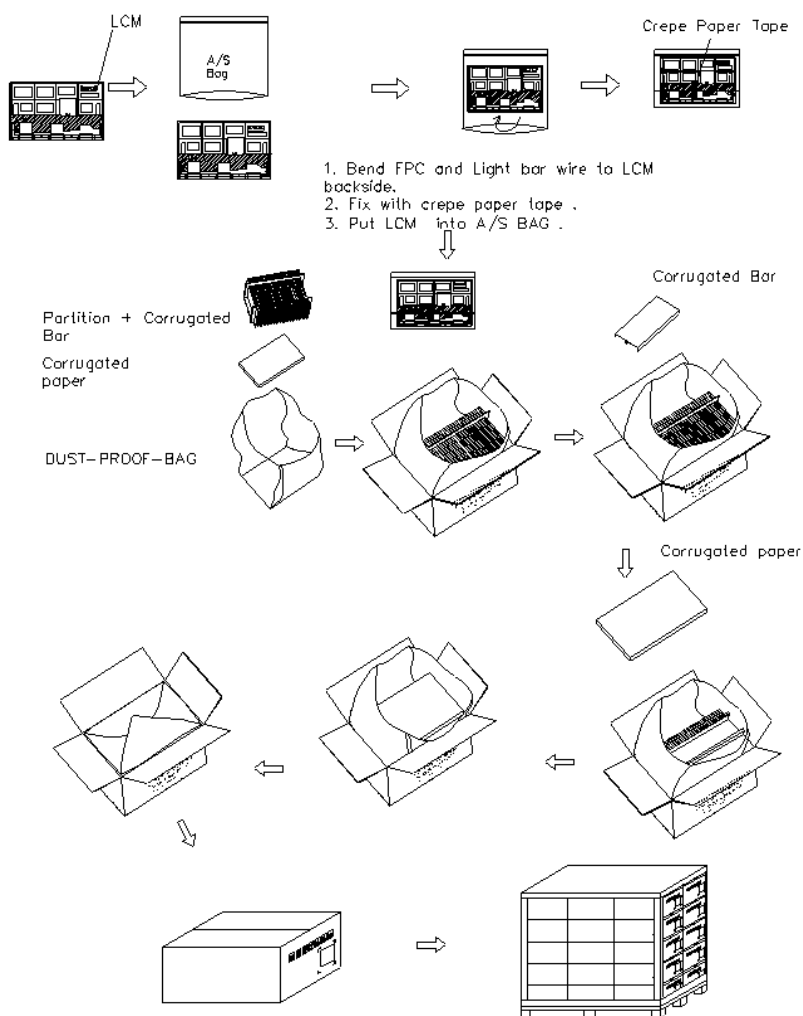
A limit sample should be provided by the both parties on an occasion when the both parties agreed its necessity. Judgment by a limit sample shall take effect after the limit sample has been established and confirmed by the both parties.

9.2

On the following occasions, the handing of problem should be decided through discussion and agreement between responsible of the both parties.

- When a question is arisen in this specification
- When a new problem is arisen which is not specified in this specifications
- When an inspection specifications change or operating condition change in customer is reported to Daxian , and some problem is arisen in this specification due to the change
- When a new problem is arisen at the customer's operating set for sample evaluation in the customer site.

10. Package Drawing



11. Outline Dimension

