



无线双赢 科技有限公司
Wireless Allwin Technology Co., Limited

AWU51N (RT3070)

GWF-3E33

Part Name: 802.11b/g/n Adapter

Part No.: RT3070

Version: V1.0

Apply:	Check:	Approve:
Huang Shi na	Yuan zhi long	Chen Shi feng



1. Product Overview

AWU51N_US is a 150M USB Wireless Adapter that Compliant with IEEE 802.11b,IEEE 802.11g,IEEE802.11n(draft). It supports WEP, WPA, IEEE802.1x, CCK, TKIP encryption and authentication mechanisms . Wireless transmission rates of up to150M, is 5 times of the ordinary 11b product. Built-in omni-directional smart antenna can adapt to different working environment .So that the desktop or notebook, as well as other wireless networking equipment can access a wireless network expediently.

2. Key Feature

- Compliant with IEEE802.11b/g,IEEE802.11n(draft)
- RoHS compliant
- USB 2.0 interface Compliant
- Work mode : Infrastructure、 Ad-Hoc
- 1T1R mode with 150Mbps PHY Rate for Both Transmit and Receiving
- Supports 64/128/256 WEP encryption, supports WPA/WPA-PSK, WPA2/WPA2-PSK Security
- Transfer Rate: 150/135/121.5/108/81/54/48/36/24/18/12/9/6/11/5.5/2/1Mbps
- Supports Windows 98/ME/2000/XP/64bitXP/2003 OS/linux/wince
- Transfer distance :Farthest 100 meters Indoor , Farthest 300meters Outdoor (As a result of the environment varies)

3. Specifications

3-1. Solution

Item	Description
MCU+SWITCH	RT3070



无线双赢

科技有限公司

Wireless Allwin Technology Co., Limited

3-2. Technical Spec

Item	Description	
Standard	IEEE 802.11b/g、IEEE 802.11n(draft)、CSMA/CA with ACK	
Interface	USB2.0	
Operating Frequency	2.4~2.4835GHz	
Channel Number	13	
Modulation	OFDM/DBPSK/DQPSK/CCK	
RX sensitivity	150M:-68dbm@10%PER; 54M : -68dBm@10%PER : 11M : -85dBm@8% PER : 6M : -88dBm@10%PER : 1M : -90dBm@8% PER	
Transfer distance	Farthest 100 meters Indoor ,Farthest 300meters Outdoor(As a result of the environment varies)	
RF Power	13±2dbm	
LED	Status	
Supported OS	Win 98 / ME / 2000 / XP / 64-bitXP/2003 /Linux/wince	
Dimension (L*W *H)	71.40mmX24.40mmX11.10mm	
Weight	13.0±0.5g	
Environment Specification	Temperature	Humidity
	Operating: 0~40℃	Operating: 10%-90%
	Storage:-10℃~70℃	Storage: 5%-90%

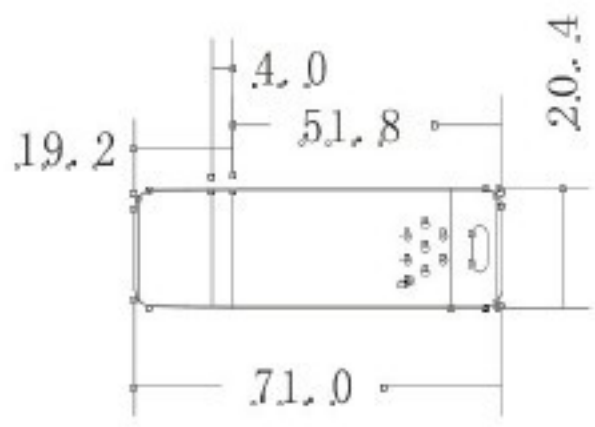


无线双赢

科技有限公司

Wireless Allwin Technology Co., Limited

3-3.Demention Spec



4.Disclaimer



无线双赢

科技有限公司

Wireless Allwin Technology Co., Limited

WiallWin Technology All Rights Reserved.

Information in this document is subject to change without prior notice. WiallWin assumes no responsibility for errors or omissions in the materials available on this Document.

WARRANTY OF ANY KIND, EITHER EXPRESS OR IMPLIED, INCLUDING BUT NOT LIMITED TO, THE IMPLIED WARRANTIES OF MERCHANTABILITY, FITNESS FOR A PARTICULAR PURPOSE, OR NON-INFRINGEMENT.

WiallWin uses reasonable efforts to include accurate and up-to-date information on this Document; it does not, however, make any representations as to its accuracy or completeness of the information, text, graphics, links or other these materials. Your use of this Document is at your own risk. WiallWin, its suppliers, and other material parties involved in creating and delivering this Document's contents shall not be liable for any special, indirect, incidental, or consequential damages, including without limitation, lost revenues or lost profits.